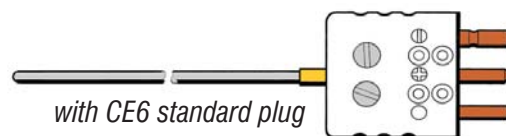


Custom Built RTD Pt100 Sensors with Connectors

- Sensors made to meet your requirements
- Sheath diameters from 3mm to 8.0mm
- Plastic quick disconnect connectors
- Operating range: -75°C to +350°C
- Standard or Miniature connectors available
- UKAS calibration available, please contact us for details
- Generally shipped in 5 to 7 days or sooner

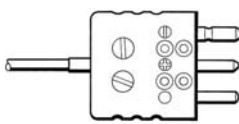
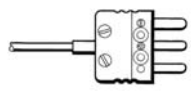


SECTION 1	N° of Elements
1	Simplex
2	Duplex
3	Triplex

SECTION 2	Sheath Diameter
3.0	3.0mm
4.5	4.5mm
6.0	6.0mm
8.0	8.0mm

SECTION 3	N° of Wires
2	2 wire
3	3 wire
4	4 wire

SECTION 4	Sheath Length
As Required	

SECTION 5	Connector Style	
CE6		Standard 3 pin round plastic bodied quick disconnect plug for three wire assemblies. Max. end seal temp. 135°C.
CE7		Miniature 3 pin round plastic bodied quick disconnect plug for three wire assemblies. Max. end seal temp. 135°C.

SECTION 6	Tolerance of Element (IEC 60751)		
Grade	Accuracy @ 0°C	Accuracy @100°C	Order Code
B	±0.30°C	±0.80°C	R100 - B
A	±0.15°C	±0.35°C	R100 - A
1/3	±0.08°C	±0.19°C	R100 - 1/3
1/5	±0.05°C	±0.15°C	R100 - 1/5
1/10	±0.03°C	±0.12°C	R100 - 1/10

2 pin connectors for 2 wire assemblies and 2 x 2pin connectors for 4 wire assemblies are available on request.

Order Code - Example							
Type N°	N° of Elements (See section 1)	Sheath dia. (See section 2)	N° of Wires (See section 3)	Sheath Length (mm)	Connector Style (See section 5)	Resistance value of element	Grade of Element (see section 6)
16	- 1	- 6.0	- 3	- 250	- CE6	- R100	- B