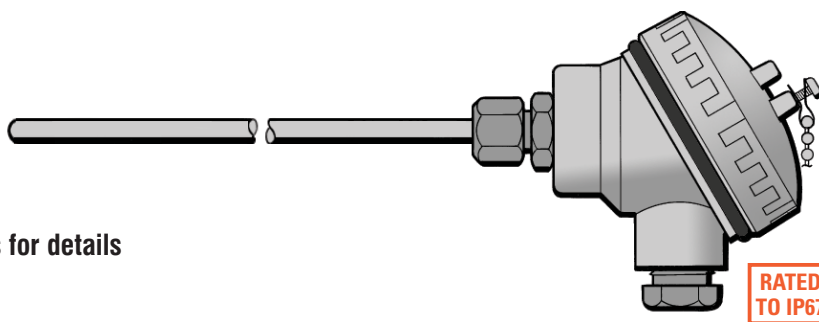


Custom Built RTD Pt100 Sensors with Standard Head

- Sensors made to meet your requirements
- Sheath diameters from 3.0mm to 10.8mm
- Operating range: -75°C to +350°C
- Terminated in an IP67 standard weatherproof die cast alloy head rated to 135°C
- UKAS calibration available, please contact us for details
- Generally shipped in 5 to 7 days or sooner



SECTION 1	N° of Elements
1	Simplex
2	Duplex
3	Triplex

SECTION 2	Sheath Diameter
3.0	3.0mm
4.5	4.5mm
6.0	6.0mm
8.0	8.0mm

SECTION 3	N° of Wires
2	2 wire
3	3 wire
4	4 wire

SECTION 4	Sheath Length
As Required	

SECTION 5	Termination
CE11	

SECTION 6	Tolerance of Element (IEC 60751)		
Grade	Accuracy @ 0°C	Accuracy @100°C	Order Code
B	±0.30°C	±0.80°C	R100 - B
A	±0.15°C	±0.35°C	R100 - A
1/3	±0.08°C	±0.19°C	R100 - 1/3
1/5	±0.05°C	±0.15°C	R100 - 1/5
1/10	±0.03°C	±0.12°C	R100 - 1/10

SECTION 7	Optional Stainless Steel Adjustable Compression Fittings		
Dia.	1/8" BSPT	1/4" BSPT	1/2" BSPT
3.0mm	ACF05S	ACF59S	ACF58S
4.5mm	ACF55S	ACF10S	ACF11S
6.0mm	ACF15S	ACF16S	ACF17S
8.0mm	—	ACF27S	ACF56S

For our full range of fittings, please see pages 72 and 73

SECTION 8	Optional 4 to 20mA Head Mounted Transmitter (please specify range in °C)
TXLPR1	<p style="text-align: center;">Fully Linearised</p>

Order Code - Example

Type No	N° of Elements (See sec.1)	Sheath dia. (See sec. 2)	N° of Wires (See sec. 3)	Sheath Length (mm)	Termination (See section 5)	Resistance value of element	Grade of Element (see sec. 6)	Compression Fitting (Optional, see sec. 7)	4 to 20mA Transmitter (Optional, see sec. 8)
16	1	6.0	3	250	CE11	R100	A	ACF17S	TXLPR1 (0/100°C)